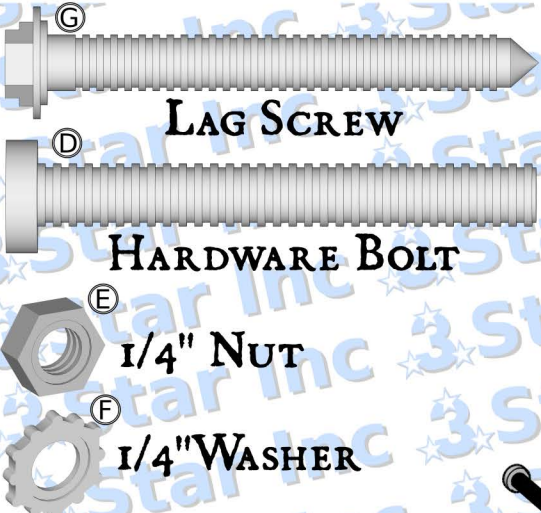
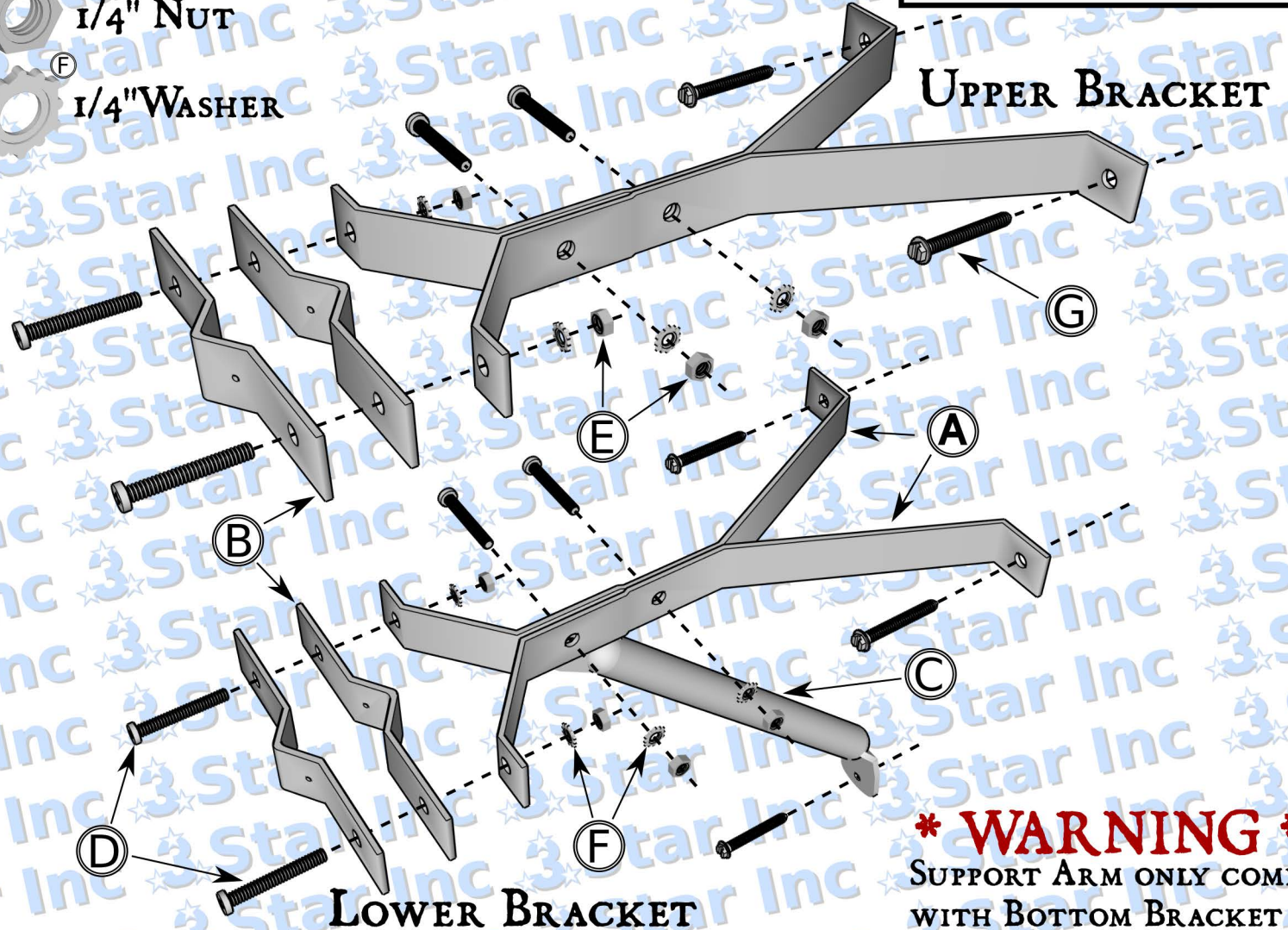
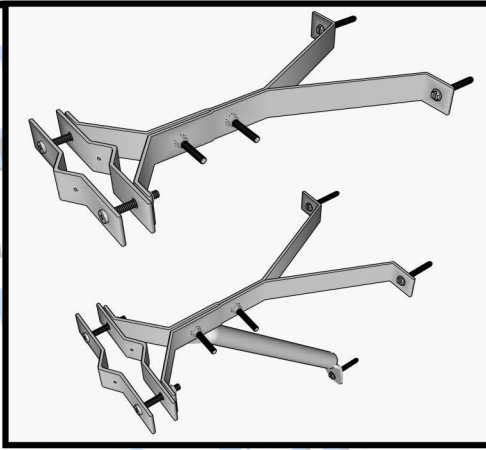


INSTALLATION



NOTES
 GALVANIZED FINISH
 USE FOR 1.25 TO 3 INCH DIA

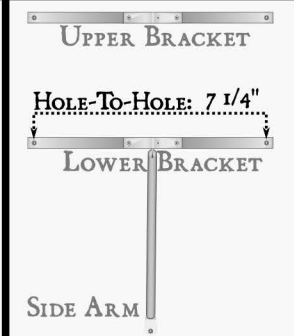


*** WARNING ***
 SUPPORT ARM ONLY COMES WITH BOTTOM BRACKET

TABLE OF CONTENTS

- (A) HARDWARE: ARM
- (B) HARDWARE: CLAMP
- (C) HARDWARE: SUPPORT ARM
- (D) 1/4" X 2" BOLT
- (E) 1/4" NUT
- (F) 1/4" WASHER
- (G) LAG SCREW

FRONT VIEW



SIDE VIEW

